

## class 800 dişli / soket kaynaklı küresel vanalar (1600-1650)

class 800 threaded / socket weld ball valves (1600-1650)

- DN15-DN50,
- Basınç Sınıfı : Class 800,
- Gövde & Kapak : ASTM A-105 / AISI 316,
- Küre : ASTM A-105 / AISI 316,
- Kumanda Şekli : Kollu,
- ASME B16,11 / ASME B1.20.1 standartlarına uygun.

- DN15-DN50,
- Pressure Class : Class 800,
- Body & Cap : ASTM A-105 / AISI 316,
- Ball : ASTM A-105 / AISI 316,
- Operation : Lever,
- According to ASME B16,11 / ASME B1.20.1 standards.



## PN 63 iki / üç parçalı dişli küresel vanalar (1700-1750)

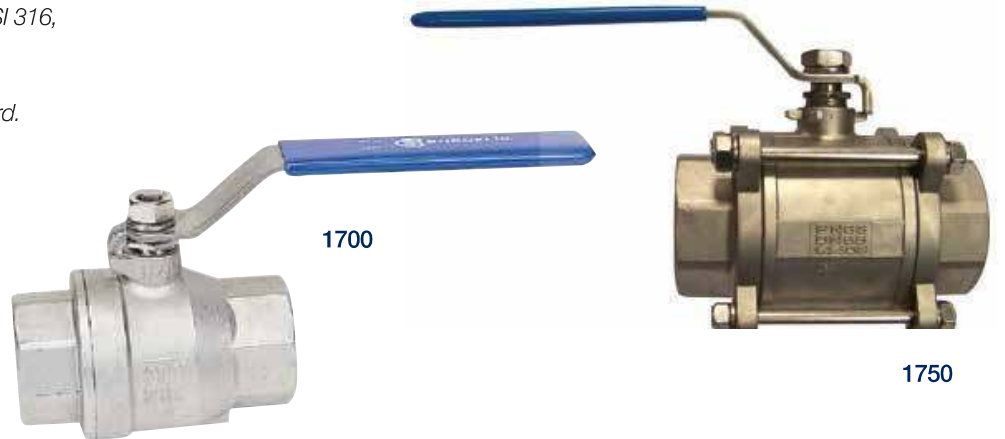
PN 63 two / three piece threaded ball valves (1700-1750)

Burçelik PN 63 dişli küresel vanalar, tam geçişli, 2 ve 3 parçalı olarak üretilmektedir. Bu vanalar 1000 psi / 68 bar basınca dayanıklıdır.

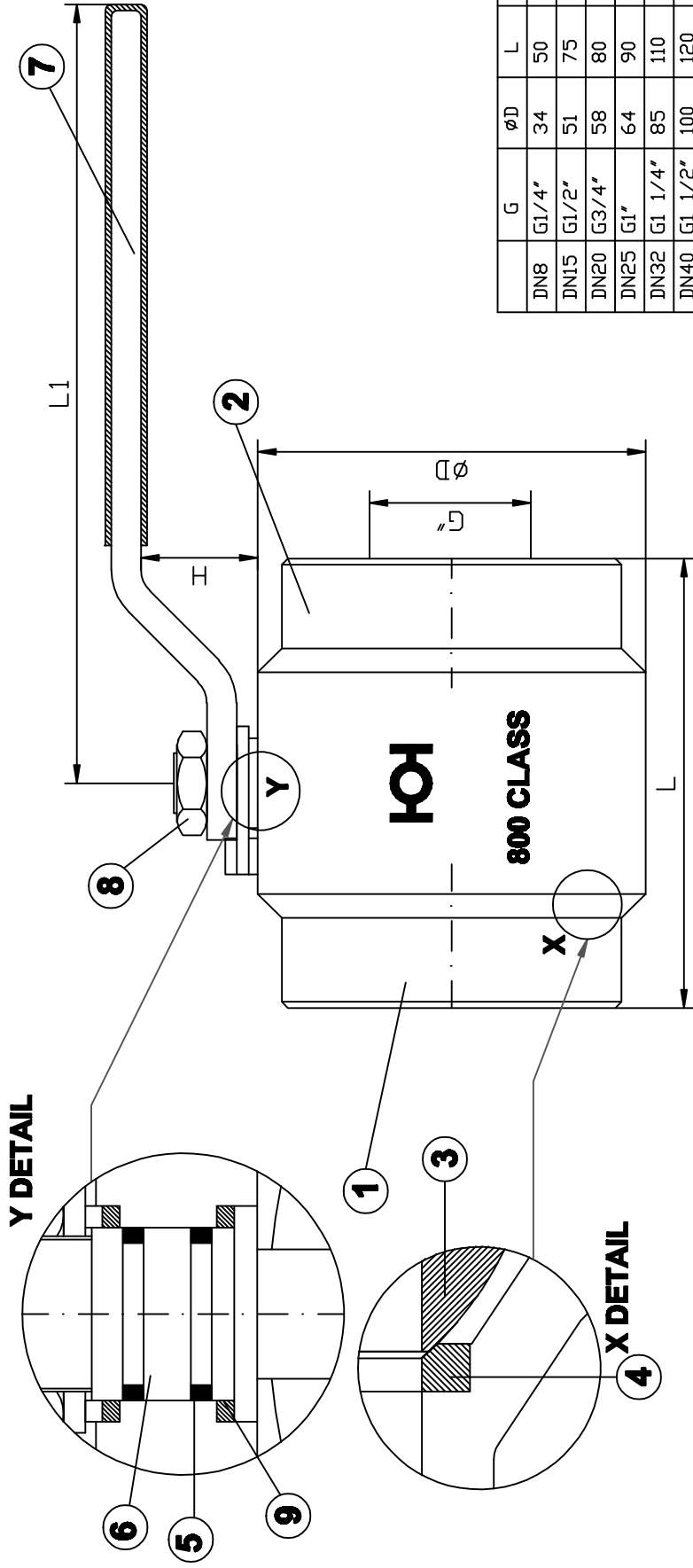
- DN15-DN50,
- Basınç Sınıfı : PN63,
- Gövde & Kapak : ASTM A-105 / AISI 316,
- Küre : ASTM A-105 / AISI 316,
- Kumanda Şekli : Kollu,
- TS EN 331 standartına uygun.

*Burçelik PN 63 threaded ball valves manufactured with full bore, 2 and 3 piece threaded. These ball valves can be resistant up to 1000 psi / 68 bar pressure.*

- DN15-DN50,
- Pressure Class : PN63,
- Body & Cap : ASTM A-105 / AISI 316,
- Ball : ASTM A-105 / AISI 316,
- Operation : Lever,
- According to TS EN 331 standard.



# BALL VALVE FLOATING FULL BORE



	G	ØD	L	L1	H
DN8	G1/4"	34	50	95	23
DN15	G1/2"	51	75	95	23
DN20	G3/4"	58	80	155	23
DN25	G1"	64	90	155	23
DN32	G1 1/4"	85	110	200	40
DN40	G1 1/2"	100	120	200	40
DN50	G2"	110	140	200	40

## STS - YBV BALL VALVE GAS - NATURAL GAS - USED FOR OIL

NO	DESCRIPTION	MATERIALS	ADET / PCS	END TO END OF FACE DIMENSION	PAINTING	CHROME PLATED	AIR SEAT TEST	6 Bar
1	BODY	A105	1				180 Bar	
2	COVER	A105	1				100 Bar	
3	BALL	AISI 316 SS	1				HYDROSTATIC SEAT TEST	
4	SEALING	PTFE TEFLON	2				TYPE OF BALL SUPPORT	FLOATING
5	STEM O-RING	VITON	2				VALVE NOMINAL SIZE	DN8-15-20-25-32-40-50
6	STEM	AISI 316 SS	1				VALVE PRESSURE CLASS	100 Bar
7	LEVEL	AISI 304 SS	1				VALVE DESING DATA SHEET	
8	BOLT NUT	AISI 304 SS	1				MATERIAL	ASTM A105
9	STEM SEALING	PTFE TEFLON	2				SCALE : 1/1	
10							DATE	
11							NAME :	

DESIGNED	CONTROL	APPROVAL	DATE	REVISION	DATE	SIGNATURE

NAME :	NAME :	NAME :
M.KIRAN	M.KIRAN	M.KIRAN
A.027A9	A.027A9	A.027A9

WEIGHT	CLIENT

REV.NO	DESCRIPTION
0	BALL VALVE
	FULL BORE